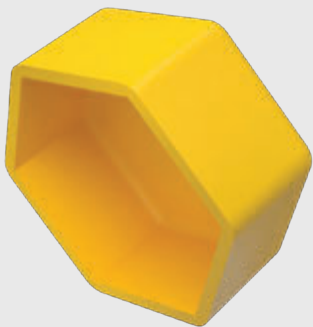
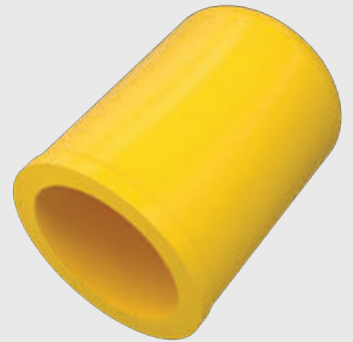
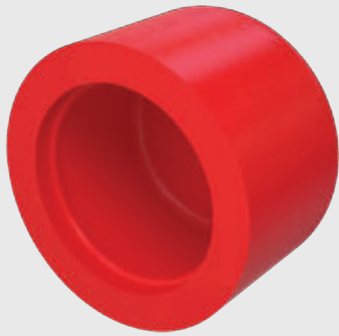
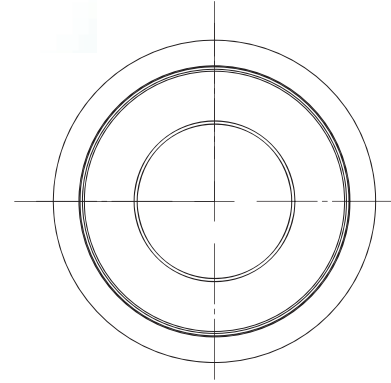
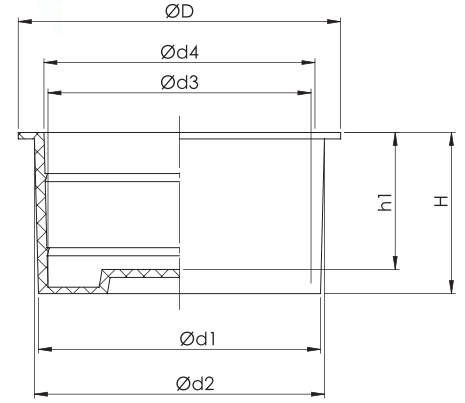
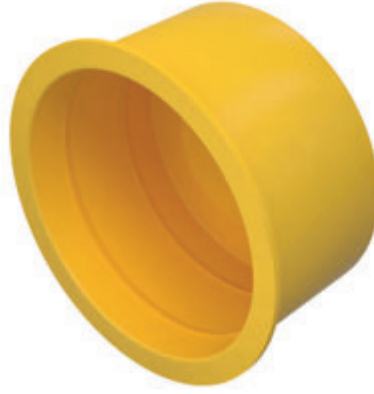


**LMC**<sup>®</sup>

**KAPAKLAR**  
CAPS





Ürün Kodu / Product Code	Ölçüler (mm) / Dimension (mm)						
	D	D1	D2	D3	D4	H1	H
T4001ER004x	14,2	12,0	12,3	9,5	10,0	6,0	6,6
T4001ER008x	17,5	15,0	16,0	12,5	14,0	10,5	13,0
T4001ER012x	21,8	19,0	19,2	16,0	16,5	10,5	13,0
T4001ER016x	27,0	21,0	23,0	19,0	21,0	15,5	18,0
T4001ER024x	32,2	28,0	29,0	26,2	27,5	14,0	17,6
T4001ER100x	40,0	35,0	36,0	32,6	34,0	17,0	20,0
T4001ER108X	50,0	43,0	45,4	40,5	43,0	19,0	22,0
T4001ER116X	55,4	49,0	51,0	46,5	48,0	22,0	25,0
T4001ER200X	66,0	55,5	59,0	55,0	57,0	25,5	27,0

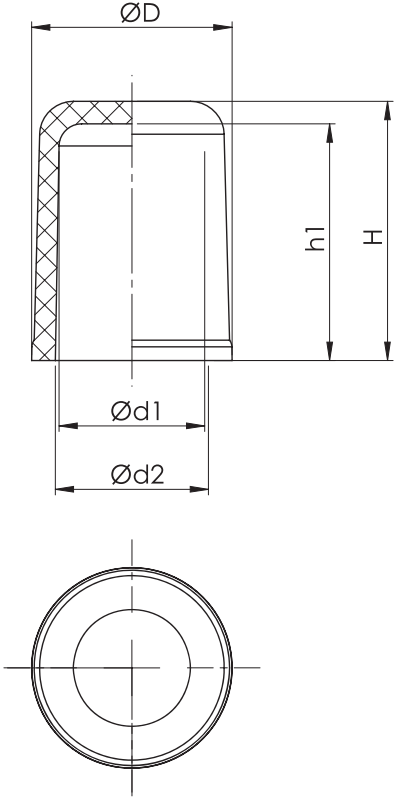
Ürün Kodu / Product Code	Uygulama Bilgisi / Application Guide				
	BSP	UNF	UNC	Metrik / Metric (M)	Metrik İnce / Metric Fine (N)
T4001ER004x	1/8"	3/8" - 24, UNF	3/8" - 16, UNC	M10	M10x1.5
T4001ER008x	1/4"	1/2" - 20, UNF	1/2" - 13, UNC	M14	M14x1.5
T4001ER012x	3/8"	5/8" - 18, UNF	5/8" - 11, UNC	M16	M16x1.5
T4001ER016x	1/2"	3/4" - 16, UNF	3/4" - 16, UNC	M22	M22x2.5
T4001ER024x	3/4"	-	-	M27	M27x2
T4001ER100x	1"	-	-	M34	M34x2
T4001ER108X	1-1/4"	-	-	M42	M42x2
T4001ER116X	1-1/2"	2" - 7, UNF	2" - 4.5, UNC	M48	M48x2
T4001ER200X	2"	2 1/4" - 6, UNF	2 1/4" - 4, UNC	M56	M56x2

Malzeme / Material	AYPE / LDPE
Renk / Colour (x)	K : Kırmızı / Red <span style="color: red;">■</span>
	M : Mavi / Blue <span style="color: blue;">■</span>
	S : Sarı / Yellow <span style="color: yellow;">■</span>

\* Hidrolik pnömatik ve mühendislik uygulamalarında yaygın olarak kullanılır. / Widely used in hydraulic, pneumatic and general engineering industries.

\* Taşıma ve depolama sürecinde toz, nem ve hasara karşı koruma sağlar. / Protects from damage, dirt, moisture and corrosion during storage and transport.

\* Farklı ölçü, renk ve malzeme talepleriniz için LMC'ye danışın. / Please ask to LMC for different size, colour or material types.



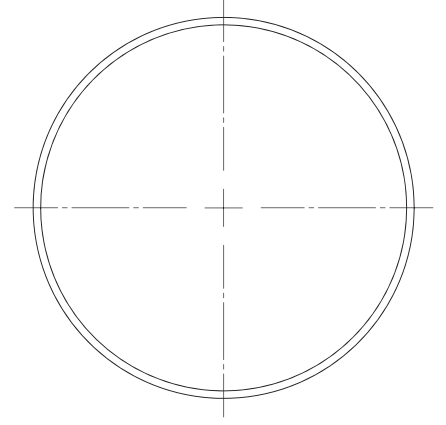
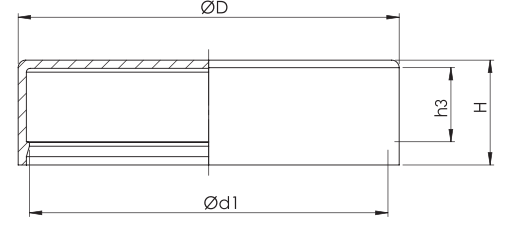
Ürün Kodu / Product Code	Ölçüler (mm) / Dimension (mm)					
	Açıklama	D	D1	D2	H1	H
T4002VD012x	14,0	14,0	11,0	12,0	17,0	18,5
T4002VD014x	16,5	16,5	12,9	13,5	21,0	23,0
T4002ED022x	22,0	24,2	21,0	21,4	22,0	23,5

Ürün Kodu / Product Code	Uygulama Bilgisi / Application Guide				
	BSP	UNF	UNC	Metrik / Metric (M)	Metrik İnce / Metric Fine (N)
T4002VD012x	-	1/2"-20 UNF, 7/16"-20 UNF	1/2"-13 UNC, 7/16"-14 UNC	M12	M12x1.5
T4002VD014x	1/4"	1/2"-20 UNF, 9/16"-18 UNF	1/2"-13 UNC, 9/16"-12 UNC	M14	M14 X 1.5
T4002ED022x	1/2"	7/8"-14 UNF	7/8"-9 UNC	M22	M22 X 1.5

<b>Malzeme / Material</b>	<b>PVC</b>	
<b>Renk / Colour (x)</b>	K : Kırmızı / Red	<span style="color: red;">■</span>
	M : Mavi / Blue	<span style="color: blue;">■</span>
	S : Sarı / Yellow	<span style="color: yellow;">■</span>

\* Elastik malzemesi sayesinde düz veya dişli parçaların korunmasında kullanılır. / Ideal for protecting threaded or non threaded tubing, pipe and rods.

\* Farklı ölçü, renk ve malzeme talepleriniz için LMC'ye danışın. / Please ask to LMC for different size, colour or material types.



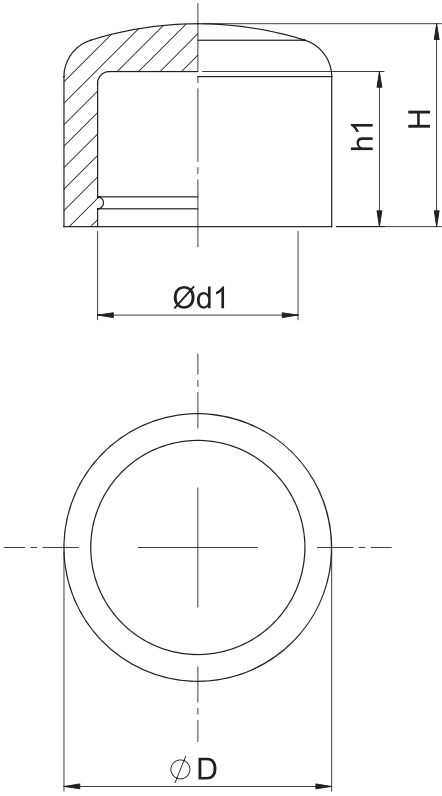
Flanş Serisi / Flange Series	Ürün Kodu / Product Code	Uygulama / Application	Ölçüler (mm) / Dimension (mm)			
		BSP	D1	D	H3	H
SAE 3000	T4003ER016x	1/2"	28,0	32,0	6,9	11,3
	T4003ER024x	3/4"	36,0	40,0	6,9	11,3
	T4003ER100x	1"	43,5	47,0	8,1	12,5
	T4003ER108x	1 1/4"	50,0	53,0	8,1	12,5
	T4003ER116x	1 1/2"	58,0	64,0	9,0	14,8
	T4003ER200x	2"	70,0	74,5	9,7	16,5

Flanş Serisi / Flange Series	Ürün Kodu / Product Code	Uygulama / Application	Ölçüler (mm) / Dimension (mm)			
		BSP	D1	D	H3	H
SAE 6000	T4006ER016x	1/2"	30,0	34,0	7,9	12,0
	T4006ER024x	3/4"	40,0	43,0	8,9	13,5
	T4006ER100x	1"	45,5	50,0	9,7	14,0
	T4006ER108x	1 1/4"	51,0	57,0	10,4	15,0
	T4006ER116x	1 1/2"	61,0	65,0	12,7	19,0
	T4006ER200x	2"	76,0	82,0	12,7	19,7

Malzeme / Material	AYPE / LDPE
Renk / Colour (x)	K : Kırmızı / Red <span style="color: red;">■</span>
	M : Mavi / Blue <span style="color: blue;">■</span>
	S : Sarı / Yellow <span style="color: yellow;">■</span>

\* SAE Flanşlar için koruma için tasarlanmıştır. / Designed for SAE Flange collars.

\* Farklı ölçü, renk ve malzeme talepleriniz için LMC'ye danışın. / Please ask to LMC for different size, colour or material types.

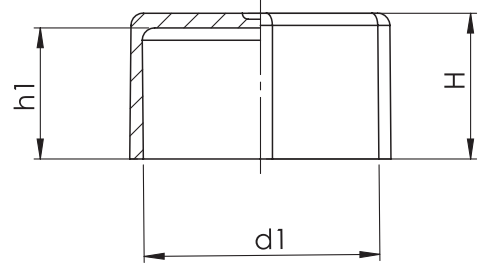
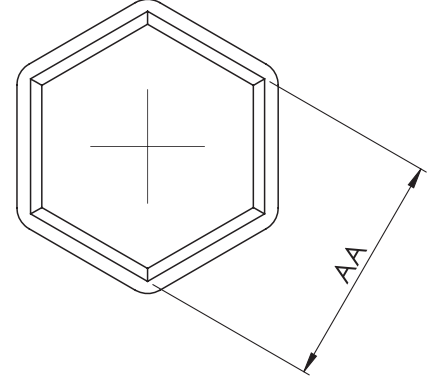
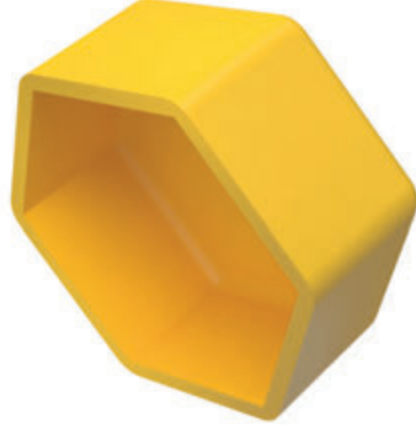


Ürün Kodu / Product Code	Ölçüler (mm) / Dimension (mm)			
	D	D1	H1	H
<b>T4004ED008.5X</b>	11,1	8,2	7,6	8,4

Malzeme / Material	AYPE / LDPE
Renk / Colour (x)	K : Kırmızı / Red <span style="color: red;">■</span>
	M : Mavi / Blue <span style="color: blue;">■</span>
	S : Sarı / Yellow <span style="color: yellow;">■</span>

\* Nozulları korumak için uygundur. / Suitable for nozzle protection.

\* Farklı ölçü, renk ve malzeme talepleriniz için LMC'ye danışın. / Please ask to LMC for different size, colour or material types.

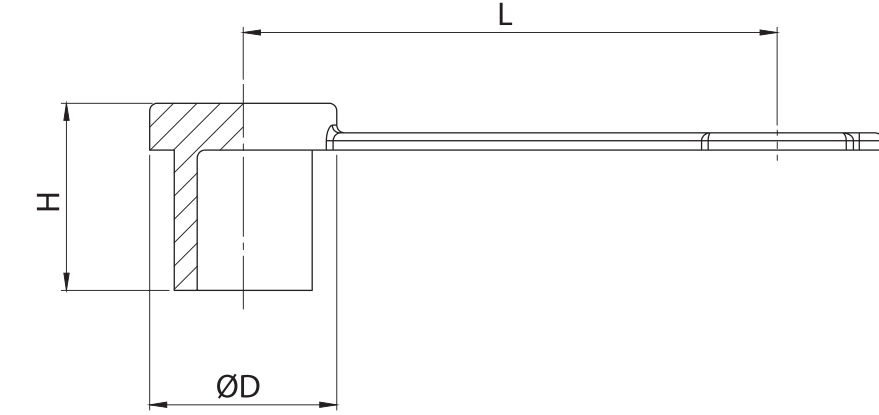
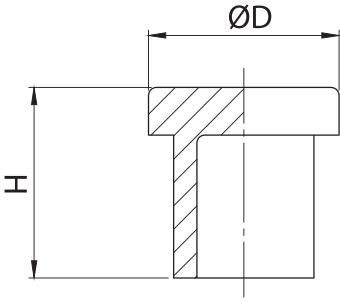


Ürün Kodu / Product Code	Ölçüler (mm) / Dimension (mm)				
	Açıklama	AA	D1	H1	H
T4005EA014X	AA14	14,0	15,3	8,8	10,0
T4005EA017x	AA17	17,0	19,5	9,8	11,0
T4005EA019x	AA19	19,0	22,0	10,5	12,0
T4005EA022x	AA22	22,0	25,0	11,7	13,0
T4005EA024X	AA24	24,0	30,5	16,75	18,0
T4005EA027x	AA27	27,0	31,0	13,5	15,0
T4005EA030x	AA30	30,0	34,3	16,5	18,0
T4005EA032x	AA32	32,0	36,5	16,3	18,0
T4005EA036X	AA36	36,0	41,0	20,0	21,5
T4005EA041X	AA41	41,0	46,7	20,0	21,5
T4005EA046X	AA46	46,0	50,8	21,0	22,5
T4005EA050X	AA50	50,0	57,1	22,5	24,0
T4005EA055X	AA55	55,0	64,0	22,5	24,0
T4005EA060X	AA60	60,0	67,0	24,0	25,5

Malzeme / Material	AYPE / LDPE
Renk / Colour (x)	K : Kırmızı / Red <span style="color: red;">■</span>
	M : Mavi / Blue <span style="color: blue;">■</span>
	S : Sarı / Yellow <span style="color: yellow;">■</span>

\* Altıköşe bağlantı parçaları için hızlı uygulama ile yüksek koruma sağlar. / Provides time saving and high protection for hexagone connection parts.

\* Farklı ölçü, renk ve malzeme talepleriniz için LMC'ye danışın. / Please ask to LMC for different size, colour or material types.



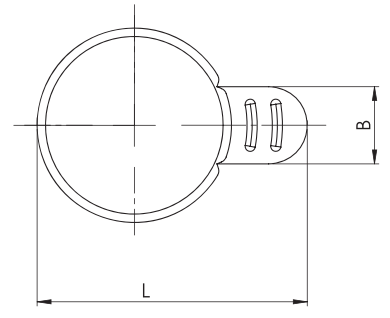
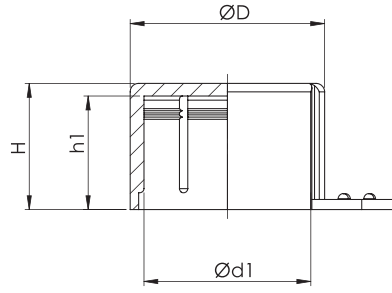
Ürün Kodu / Product Code	Ölçüler (mm) / Dimension (mm)		
	D	H	L
<b>T4108ED006x</b>	12,0	12,0	34,0

**T4109**

Ürün Kodu / Product Code	Ölçüler (mm) / Dimension (mm)	
	D	H
<b>T4109ED006x</b>	12,0	12,0

Malzeme / Material	AYPE / LDPE
Renk / Colour (x)	K : Kırmızı / Red <span style="color: red;">■</span>
	M : Mavi / Blue <span style="color: blue;">■</span>
	S : Sarı / Yellow <span style="color: yellow;">■</span>

- \* Grasör nipelleri için hesaplı koruma sağlar. / Effective, low cost protection for grease nipples.
- \* Fittingsin temiz kalmasını sağlar. / Fittings stay clean and do not need to be wiped before every grease job.
- \* Yüzük sayesinde rakora bağlı kalır. / In integral retaining ring keeps the cap attached to it's fitting. (T4108 serisi / T4108 series)
- \* Farklı ölçü, renk ve malzeme talepleriniz için LMC'ye danışın. / Please ask to LMC for different size, colour or material types.



Ürün Kodu / Product Code	Ölçüler (mm) / Dimension (mm)						
	d1	D1	D	L	B	H1	H
<b>T5002ER004x</b>	8,8	8,8	10,2	19,2	6,0	9,5	11,0
<b>T5002ER008x</b>	12,2	12,2	13,3	22,8	7,0	11,5	13,0
<b>T5002ER012x</b>	15,8	15,8	16,8	26,8	8,0	12,5	14,0
<b>T5002ER016x</b>	20,0	20,0	21,1	32,0	9,2	13,5	15,0
<b>T5002ER020x</b>	22,0	22,0	23,1	34,5	10,2	14,5	16,0
<b>T5002ER024x</b>	25,5	25,5	26,6	39,5	10,8	15,0	17,0
<b>T5002ER100x</b>	32,2	32,2	33,4	47,5	12,0	16,0	18,0
<b>T5002ER108x</b>	43,0	43,0	44,0	58,0	9,5	16,8	18,0

Ürün Kodu / Product Code	Uygulama Bilgisi / Application Guide				
	BSP	UNF	UNC	Metrik / Metric (M)	Metrik İnce / Metric Fine (N)
<b>T5002ER004x</b>	R 1/8"	3/8"-24, UNF	3/8"-16, UNC	M9 - M10	M10x1.0
<b>T5002ER008x</b>	R 1/4"	1/2"-20, UNF	1/2"-13, UNC	M12	M12x1.5 - M13x1.5
<b>T5002ER012x</b>	R 3/8"	5/8"-18, UNF	5/8"-11, UNC	M16	M16x1 - M16x1.5
<b>T5002ER016x</b>	R 1/2"	-	-	M20	M20x1.5 - M20x2
<b>T5002ER020x</b>	R 5/8"	7/8"-14, UNF	7/8"-P, UNC	M22	M22x1.5 - M22x2
<b>T5002ER024x</b>	R 3/4"	1"-12, UNF	1"-8, UNC	-	M26x1.5 - M26x2
<b>T5002ER100x</b>	R 1	-	-	M33	M32x1.5 - M32x2 - M33x1.5

Ürün Kodu / Product Code	Ölçüler (mm) / Dimension (mm)						
	ORFS	D1	D	L	B	H1	H
<b>T5002ED014X</b>	9/16" ORFS	14,4	16,5	26,2	7,0	10,5	11,7
<b>T5002ED017X</b>	11/16" ORFS	17,6	19,4	29,5	7,0	10,5	11,7
<b>T5002ED021X</b>	13/16" ORFS	20,7	22,5	34,5	9,0	13,8	15,0
<b>T5002ED025X</b>	1" ORFS	25,4	28,4	38,4	9,0	16,0	17,5
<b>T5002ED030X</b>	1-3/16" ORFS	30,3	32,7	43,7	9,3	16,0	17,5
<b>T5002ED037X</b>	1-7/16" ORFS	36,6	39,0	50	9,5	16,0	17,5
<b>T5002ED043X</b>	1-11/16" ORFS	42,8	45,0	58	9,5	16,0	17,5

Malzeme / Material	AYPE / LDPE	
Renk / Colour (x)	K : Kırmızı / Red	<span style="color: red;">■</span>
	M : Mavi / Blue	<span style="color: blue;">■</span>
	S : Sarı / Yellow	<span style="color: yellow;">■</span>

\* Yırtilan kulak tasarımı ile sökme kolaylığı sağlar. Tak/çevir ile hızlı uygulanır. / Lock with gripping ribs and simple tear away tab for quick release.

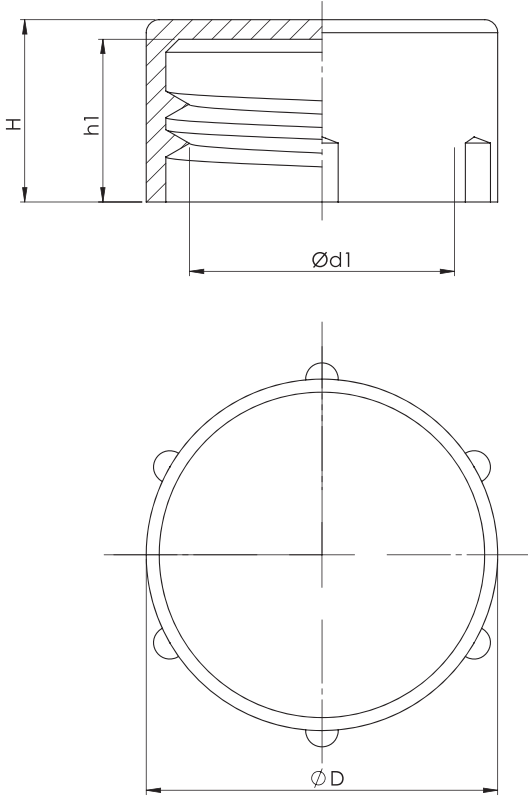
\* Düz dişli uygulamalarında kullanılır. / Tear Caps are for use on straight threads.

\* Vidalı uygulamalarda depolama ve taşıma sırasında dışı hasar toz ve kire karşı korur. / Protects from damage, dirt, moisture and corrosion during storage and shipping.

\* Tak/çevir ile hızlı uygulanır. Yırtilan kulak tasarımı ile sökme kolaylığı sağlar. / Lock with gripping ribs and simple tear away tab for quick release.

\* Farklı ölçü, renk ve malzeme talepleriniz için LMC'ye danışın. / Please ask to LMC for different size, colour or material types.







Ürün Kodu / Product Code	BSP	Ölçüler (mm) / Dimension (mm)		
	D1	D	H1	H
T5001ER004x	1/8"	11,5	8,0	9,2
T5001ER008x	1/4"	15,0	10,5	11,0
T5001ER012x	3/8"	18,5	12,8	13,5
T5001ER016x	1/2"	23,0	12,5	14,2
T5001ER020x	5/8"	25,5	12,5	14,0
T5001ER024x	3/4"	29,0	13,5	14,7
T5001ER028x	7/8"	33,0	13,5	14,8
T5001ER100x	1"	36,0	14,3	15,6
T5001ER104x	1 1/8"	41,0	14,0	16,0
T5001ER108x	1 1/4"	45,0	15,0	16,5
T5001ER112x	1 3/8"	47,0	15,5	17,5
T5001ER116x	1 1/2"	51,0	16,0	18,2
T5001ER200x	2"	63,0	18,5	20,0

Ürün Kodu / Product Code	UNF	Ölçüler (mm) / Dimension (mm)		
	D1	D	H1	H
T5001EF018x	9/16"-18 UNF	16,0	12,3	13,0
T5001EF024x	3/4"-16 UNF	21,0	17,7	19,0

Ürün Kodu / Product Code	Metrik İnce / Metric Fine (N)	Ölçüler (mm) / Dimension (mm)		
	D1	D	H1	H
<b>T5001EN010x</b>	M10x1,5	12,0	9,0	10,0
<b>T5001EN016x</b>	M12x1,5	15,0	11,0	14,0
<b>T5001EN019x</b>	M14x 1,5	16,5	11,0	14,0
<b>T5001EN023x</b>	M16x1,5	19,0	11,0	13,5
<b>T5001EN027x</b>	M18x1,5	21,0	13,0	14,0
<b>T5001EN030x</b>	M20x1,5	23,0	13,0	14,0
<b>T5001EM020x</b>	M20x2,5	23,0	24,7	26,0
<b>T5001EN033x</b>	M22x1,5	26,5	13,0	14,0
<b>T5001EN036x</b>	M24x1,5	29,5	13,0	14,0
<b>T5001EN041x</b>	M26x1,5	33,0	13,0	14,0
<b>T5001EN049x</b>	M30x1,5	33,0	12,5	14,0
<b>T5001EN052x</b>	M32x1,5	35,0	13,6	15,0
<b>T5001EN060x</b>	M36x2,0	38,0	17,0	18,5
<b>T5001EN069x</b>	M42x2,0	45,0	18,0	20,0
<b>T5001EN073x</b>	M45x2,0	47,5	20,0	22,0
<b>T5001EN084x</b>	M52x2,0	55,0	18,0	20,0

Malzeme / Material	AYPE / LDPE
Renk / Colour (x)	K : Kırmızı / Red 
	M : Mavi / Blue 
	S : Sarı / Yellow 

\* Hidrolik pnömatik ve mühendislik uygulamalarında yaygın olarak kullanılır. / Widely used in hydraulic, pneumatic and general engineering industries.

\* Vidalı uygulamalarda, dişi hasar toz ve kire karşı korur. / Protects threaded components from dust, moisture and damage.

\* Farklı ölçü, renk ve malzeme talepleriniz için LMC'ye danışın. / Please ask to LMC for different size, colour or material types.